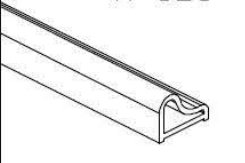

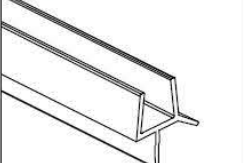
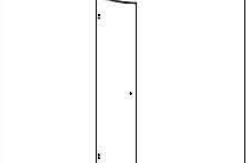
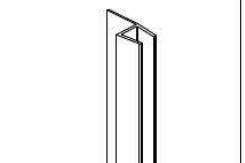
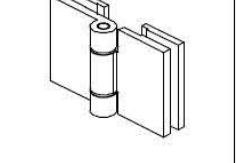
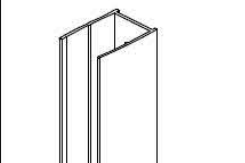
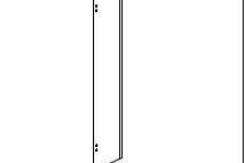
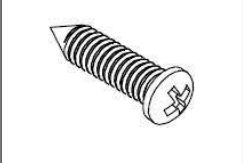

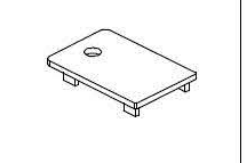
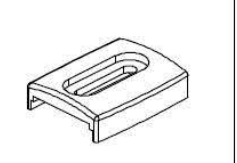

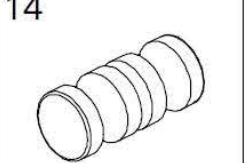
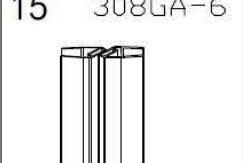
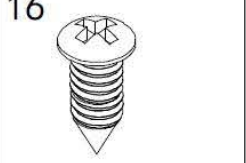
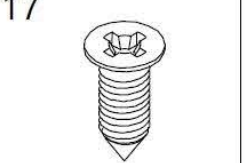


<b>01</b> R=525  DL-817 X1	<b>02</b> WX-01  L/R X1	<b>03</b> Y188-6  X2	<b>04</b>  X2	<b>05</b> H005-6  X2	<b>06</b>  140-8 X4
<b>07</b> DY-0025  X2	<b>08</b>  X2	<b>09</b>  ST4X30 X8	<b>10</b>  X10	<b>11</b> N-0024  X2	<b>12</b> W-0025  X2
<b>13</b> WXZC  X2	<b>14</b>  M28 X2	<b>15</b> 308GA-6  X2	<b>16</b>  ST4X20 X2	<b>17</b>  ST4X16 X2	