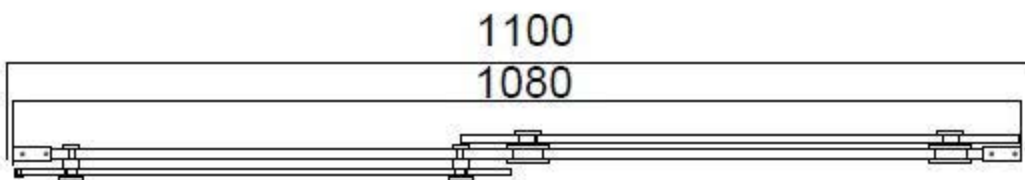
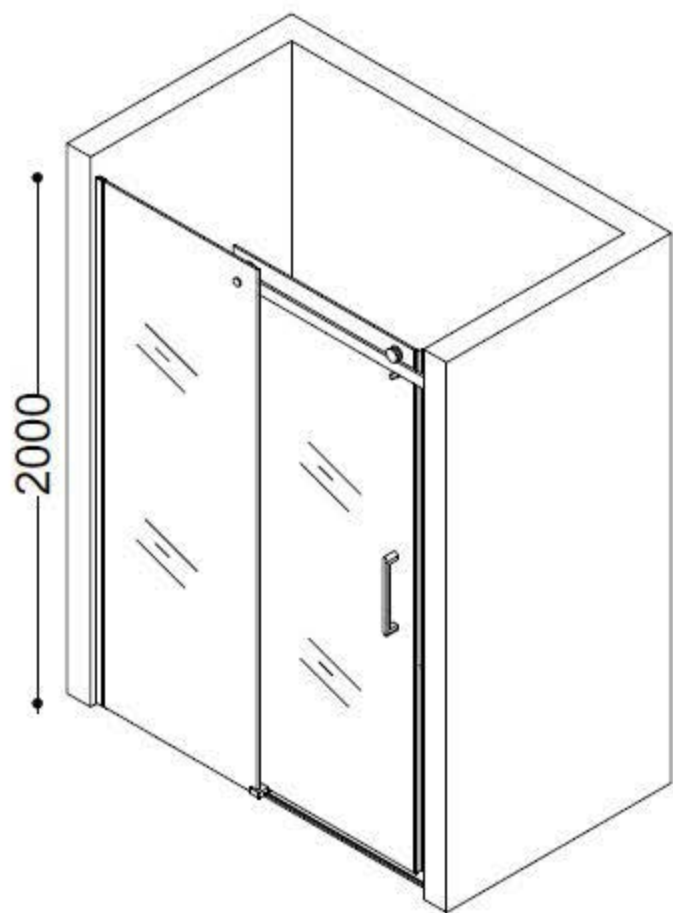
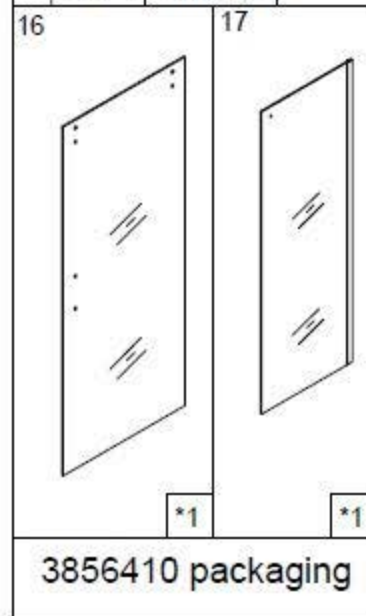


3856410



| | | | | | |
|------------------|-----------------------|--------------------------------|------------------|----------------------------|----------------------------------|
| 01 1018*1 | 02 Ø48Wheels*2 | 03 Square wall sleeve*2 | 04 *8 | 05 Anti-jump nail*2 | 06 Square tube fastener*1 |
| 07 D014*1 | 08 *4 | 09 H003*1 | 10 *8 | 11 4*40 | 12 5*40 |
| 13 S06*1 | 14 304AAK*1 | 19 D003*1 | 18 D017*1 | | |



Tools for installation

